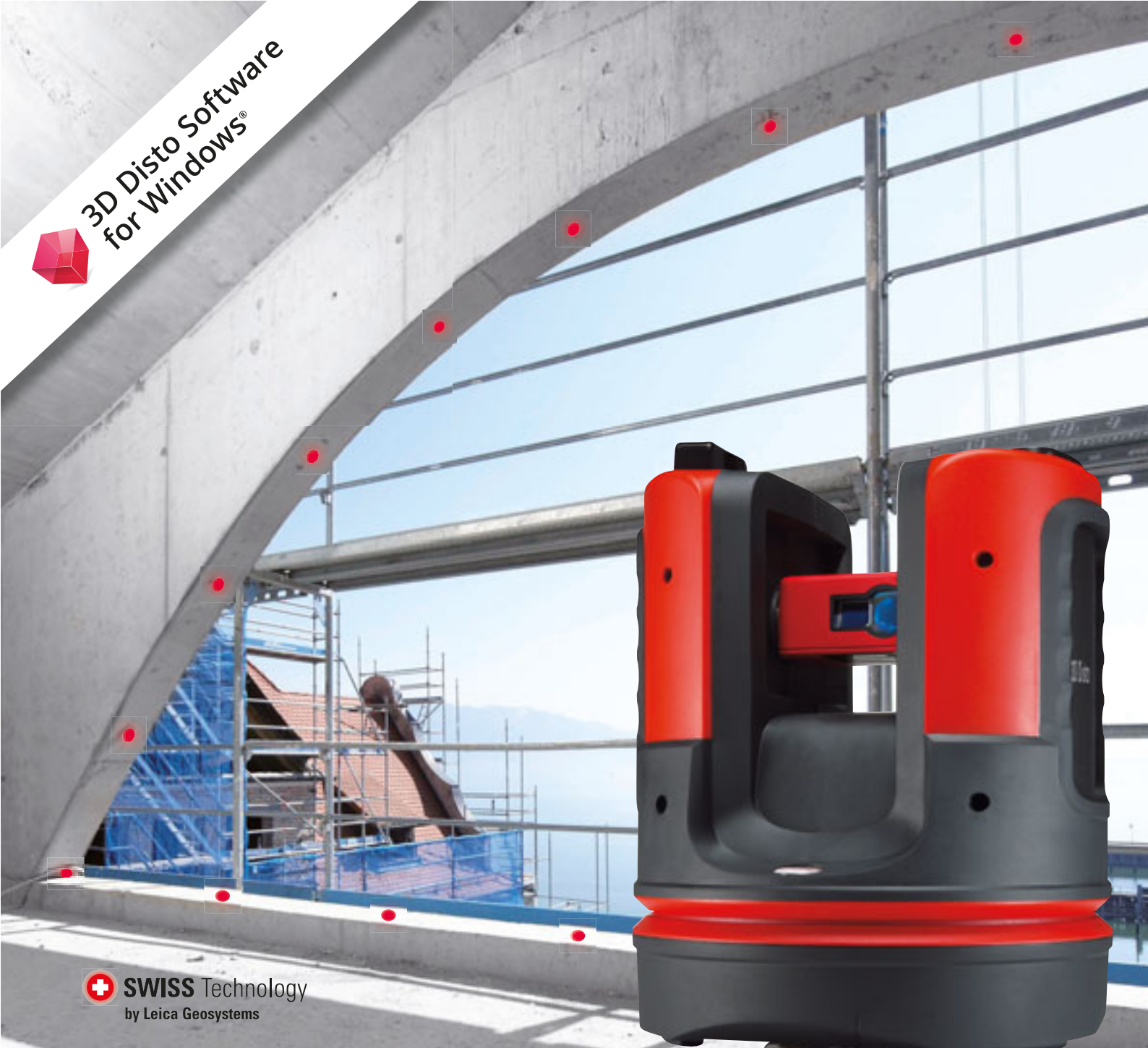


Leica 3D Disto

Recreate the real world

 3D Disto Software
for Windows®



 **SWISS** Technology
by Leica Geosystems

 PART OF
HEXAGON

- when it has to be **right**

Leica
Geosystems

Versatility meets efficiency

Reality on your computer with pinpoint precision

The high-precision Leica 3D Disto is used whenever the use of conventional measuring tools is only possible with a great deal of time and effort.

The intelligent software on your Windows® device controls the Leica 3D Disto, automatically carries out all complicated calculations in the background and only supplies all the relevant information you need. The Leica 3D Disto is therefore the perfect tool – reliable, economical and very easy to operate. An investment that soon pays for itself.



* Tablet computer not included in the scope of delivery



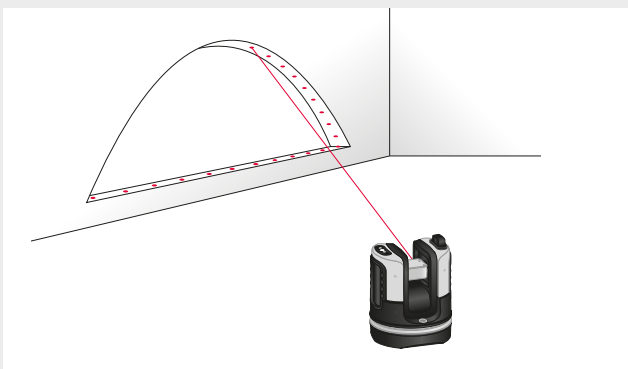
**3D Disto Software
for Windows®**

| | |
|---|--|
| Line and surface scans | Let the Leica 3D Disto capture and record all local conditions – fully automatically, efficiently and with maximum precision. |
| Digital measurement with immediate results | You can also reach inaccessible points for measuring distances, inclinations and angles simply and easily from the floor without the need for a ladder or mobile access platforms. |
| Cable-free operation | Control and navigate the Leica 3D Disto easily and conveniently from your Windows® device – also from a distance of up to 50 m. |
| Digital pointfinder | On the live image stream you can see immediately where you are measuring – even in difficult light conditions such as bright sunlight. |
| Graphic 2D or 3D display | Track the measurement point by point on your screen. The perspective view is customisable and can be changed at any time. |
| Marking heights, plumb points and parallel lines | Save up to 80 percent of your valuable time when determining required points on site; instead, use a lot of intelligent tools included in the software. |
| Import of own data for simple staking out | Feed the Leica 3D Disto your data. It marks every point on walls, ceilings or floors - exactly where it should be. |
| Changing the position with photo backup | This function is used to either display several rooms in a single, coherent measurement or subsequently add additional measurements to previously saved files. Simply measure from room to room. |
| Export formats | DWG, DXF (2D, 3D and overview plan), JPG, CSV and TXT. |



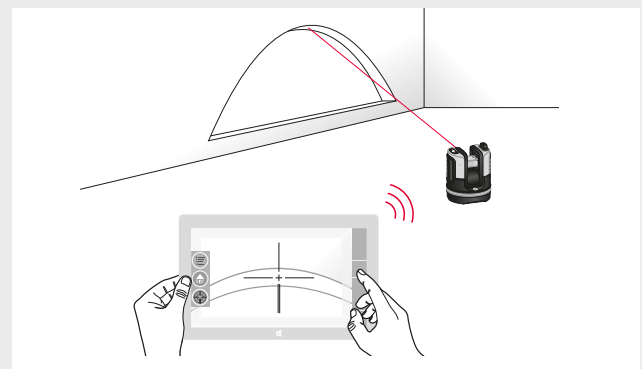
Masters even the most difficult challenge

Your partner for perfect room measurement



1 Scanning and measurement

With the Leica 3D Disto you can measure everything from simple distances to complicated spaces on site to obtain all the data you require – either automatically or manually.

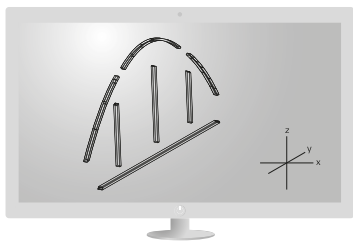


2 With Leica 3D Disto software for Windows®

With our intuitive software for your Windows® device you not only control the Leica 3D Disto, but also see directly what you have measured – either as a live image supplied by the integrated camera or as a three-dimensional model.

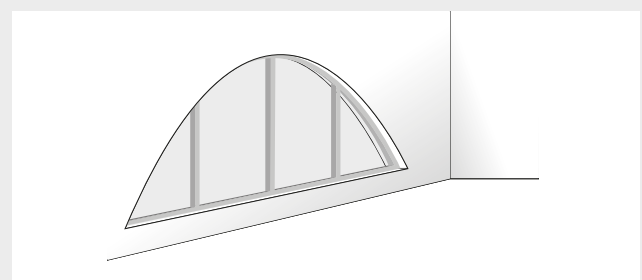
3 Simple data export

All recorded data is collected for each project and exported by simply pressing a button. The software automatically generates the different document formats that you need for subsequent processing. You can therefore transfer DWG or DXF files, images, calculation or text data to your computer workstation at the office as required.



4 Exact planning in the office

With the high-precision data that the Leica 3D Disto supplies you can realistically create and then produce your projects in your customary software environment with maximum possible precision!



5 Maximum assembly time reduction

With the optimised workflow from scanning to production you can minimise expensive assembly times and meet high optical component fitting accuracy demands with ease.

Worktops and recess panels

Efficient and economical implementation,
also in complex rooms



A familiar problem? Your customer is looking for a high-quality worktop and recess panels made of stone, exclusive wood, stainless steel or glass; materials that cannot be processed on site and that simply have to fit.

To this purpose you have to make a sketch and note the measurements taken with a measuring tape, square and bevel. Afterwards a template is often made using complicated methods. This is checked once more at the installation site and modified as necessary. The positions for the water connections, power sockets and light switches are measured and marked on the templates. Only then is it possible to produce the final parts. During installation you discover that minor errors have accumulated during the many stages from measurement through to the final product, and during installation it is necessary to use your file, hammer and chisel to make sure that the final product fits.

Save time and money

With the Leica 3D Disto you make a competent and professional impression on your customers from the outset. With the various measurement functions you can record all spatial situations easily and precisely. In the simplest case you only measure the corner points. In complicated rooms with uneven or skewed walls, you use the horizontal scanning tool. You define where the measurements start and at which intervals these should be made; the Leica 3D Disto does the rest – quickly and fully automatically. With the realistic data you can produce the final parts directly. The time-consuming template and modification work during installation is no longer necessary and the final results will also impress your customers.

Window and door elements

Precise and clean implementation without fitting strips



Your goal is to fulfil all your customer's wishes. A fitted wardrobe under a sloping roof, aluminium windows with an irregular geometry or a door element in a wall arch. In both new and old builds you and your customers expect a perfect solution for a fair price.

To achieve a perfectly fitting solution without any irritating gaps or screens, conventional measurement methods require the creation and adjustment of templates for making the components. The time required for this work is tremendous; an attractive price is hardly possible.

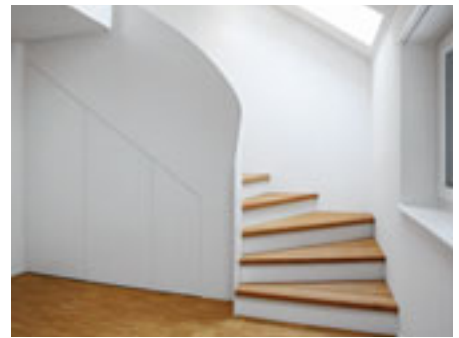
Benefit from attractive prices

The Leica 3D Disto features a vertical scan for such problematic cases. An opening in a wall can be automatically measured in a very short time. Even the smallest irregularity is recorded. The acquired data can be uploaded immediately to your CAD system and construction work can commence. The component produced on the basis of the original data does not need any reworking during installation. In short, you save valuable time during measurement, production and installation. This means that you can not only offer your customers the most attractive solution, but also the most appealing price.



Measuring stairs

Simple, precise and fast



Measuring a staircase in a building shell seems to be an impossible task for a non-expert, and for you as a professional it is a challenge but one that can be mastered.

If the staircase extends over several floors, you go to the site with a team of two or three, use several plumbing lines, tension cords, run up and down ladders, make sketches in which you enter your measurements. After several hours at the site you enter your more or less accurate measurements into your software and start planning. By now you have invested a great deal of time before you have even made the first cut.

Impress with perfection

With the Leica 3D Disto the staircase measurement can be completed by one person. Sloping floors and uneven walls, inaccessible points, unequal angles and connection heights are digitally measured. Even stairs over several floors can be measured within a very short time with the automatic station point relocation feature and slope scan function. The data is simply uploaded for precise and realistic planning in your CAD programme. Design the final attachment points of the stairs and transfer them back to the Leica 3D Disto. It then shows you exactly during installation where the fitter has to drill the holes. This not only allows you to improve accuracy during installation, you also save a lot of time!

Leica 3D Disto

Scope of supply and accessories

- Leica 3D Disto
- RM100 remote control
- USB stick
- Self-adhesive target points
- Ruler (for measuring hidden points)
- Leica GZM3 target plate
- Power supply for Leica 3D Disto
- USB cable
- WLAN stick
- Licence key for 3D Disto software for Windows®

 3D Disto Software for Windows®



CET103 elevator tripod

Professional, multi-functional aluminium elevator tripod with a shoulder strap, quick-action clamps and a circular level, minimum working height 84 cm, maximum extension length 246 cm (including an extending central column), with mm scale, replaceable rubber feet.

Art.No. 768033



CTP106-1 aluminium tripod

Lightweight tripod with shoulder belt and screw clamp at the side.

Art.No. 789913



myWorld@Leica Geosystems

Always keep up with the latest developments

Visit the world of Leica Geosystems at www.leica-geosystems.com and register your Leica 3D Disto at Leica myWorld. You will receive your individual and secure password to enter the internet portal and can register your device for an additional year's guarantee. In myWorld you can find information on all important aspects of the product. The documentation such as manuals and proposed solutions are always kept up to date. The instrument's software can be checked and updated. Nowhere can you find all the tips and information about your Leica 3D Disto presented in such a compact form than at myWorld.



PROTECT by Leica Geosystems

We always protect your success

In addition to comprehensive technical knowledge, thinking holistically about the needs and requirements of our customers has the highest priority at Leica Geosystems. Close cooperation with practical professionals leads to user-friendly products that fulfil the customers' expectations perfectly. Our products provide a high level of reliability,

accuracy and robustness – even in the roughest site conditions. They increase the productivity and success of our customers. With PROTECT by Leica Geosystems, we offer a first-class service on which you can depend, completely and at all times.



PROTECT is subject to Leica Geosystems International Limited Warranty and PROTECT General Terms & Conditions set out under www.leica-geosystems.com/protect.

* Available through free online registration within 8 weeks from the purchase date.

The Leica 3D Disto at a glance

Technical specifications

Technical specifications

| | | | | |
|--|-----------------------------------|--|--------|--------|
| Features of the laser distance meter | Range | 0.5 to 50m / 1.7 to 165ft | | |
| | Laser class | 2 | | |
| | Ø Laser point (distance) | 10m: ~7 mm × 7 mm 30m: ~9 mm × 15 mm | | |
| Measuring range, angle measurement (Hz/V) | Range of measurement | Horizontal 360°; vertical 250° | | |
| | Accuracy* | 5 arcsec, corresponds to 1.2 mm at 50m | | |
| Tie distance accuracy* | Combination of angle and distance | at 10m | at 30m | at 50m |
| | | Approx. 1 mm | 2 mm | 4 mm |
| Tilt sensor | Self-levelling range | ± 3° | | |
| | Accuracy | 10 arcsec, corresponds to 2.5 mm at 50 m | | |
| Circular level setting accuracy* | | 1° / mm | | |
| Digital pointfinder | Zoom (magnification) | 1×, 2×, 4×, 8× | | |
| | Field of view at 10m | 1×: 3.40m × 2.14m 2×: 1.70m × 1.07m 4×: 0.85m × 0.54m 8×: 0.42m × 0.27m | | |
| Communication | Cable | USB: Standard type B and standard type A | | |
| | Wireless | WLAN: SD card, range: 50m (depending on environment) | | |
| | Data formats | Import: DXF, CSV Export: DWG, DXF, TXT, CSV, JPG | | |
| Power supply | Li-Ion battery | 14.4V/63Wh | | |
| | Power pack | 24VDC/2.5A | | |
| | Operating time | 8h | | |
| | Charging time | 7h | | |
| Attachment | | 5/8" thread | | |
| Dimensions | Ø × H | 186.6 × 215.5 mm | | |
| Weight | | 2.8kg | | |
| Connections | | USB standard type B/Power supply power pack | | |
| Environmental conditions | Operating temperature range | -10 to 50°C | | |
| | Storage temperature | -25 to 70°C | | |
| | Protection class | IP 54 (dust and splash proof) | | |
| | Moisture | Max. 85%, non-condensing | | |
| Remote control (IR) | Range | 30m | | |
| | Communication | Infrared (IR) | | |
| | Battery | Type AA 1×1.5V | | |

*Accuracy is specified at 20°C



System requirements for a Windows® device (not included in the scope of delivery)

| | |
|-------------------------------|---|
| Operating system | Windows 7 or higher |
| Recommended screen resolution | Minimum 1000 × 680 pixels, desktop or touchscreen |
| WLAN and data communication | Use of the WLAN-USB stick included in the scope of supply If the Windows device has a mini or micro USB connection: Use an adapter (not included in the scope of delivery), USB port and adapter must feature OTG (on-the-go) functionality |
| Further recommendations | Use of a pen for the touchscreen, replacement batteries, robust housing |

All illustrations, descriptions and technical specifications are subject to change without prior notice.

Printed in Switzerland.

Copyright Leica Geosystems AG, Heerbrugg, Switzerland 2015



Andrew Smith
(Fitter)

It used to take two of us to measure a room or transfer the grid from floor to ceiling. Today I'm working alone with the Leica 3D Disto. It's simple, and projecting or setting out points, parallel lines, level references and grids couldn't be quicker or more reliable.



Markus Sommer
(Kitchen fitter)

Since we started using the Leica 3D Disto in our company I have been able to measure rooms automatically and upload all measured values to my CAD software. We no longer need to make any templates for stone or glass kitchen worktops and everything simply fits.



Matthias Luginbühl
(Stair builder and metal constructor)

Today we measure almost everything with the Leica 3D Disto because it's simply practical and also very accurate. Stair measurements over several floors are "in the box" within a very short time. The new slope scan function is fantastic!

Your dealer